



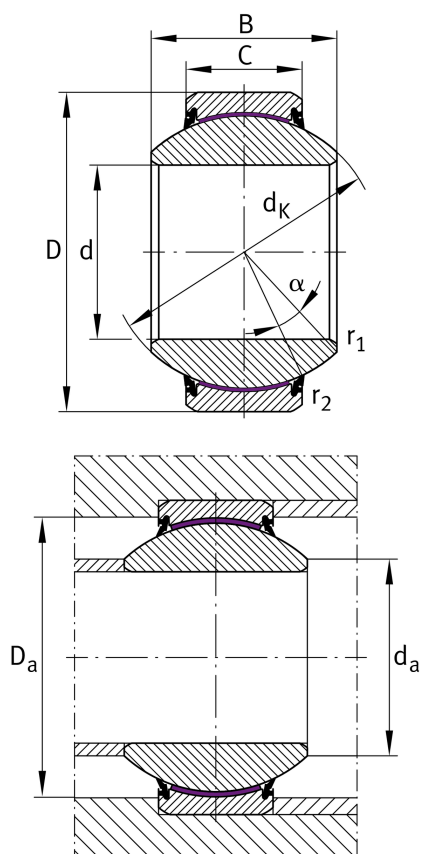
## GE45-FW-2RS

### Spherical plain bearing

Schaeffler ID:  
0066502870000

Radial spherical plain bearing,  
maintenance-free, sliding layer:  
ELGOGLIDE, inner ring curved surface  
with hard chromium coating, DIN ISO  
12240-1, dimension series G, sealed

### Technical information



### Main Dimensions & Performance Data

D	75 mm	Outside diameter bearing
d	45 mm	Bore diameter bearing
B	43 mm	Width Inner ring
C	28 mm	Width Outer ring
$C_r$	444,000 N	Basic dynamic load rating, radial
$C_{0r}$	739,000 N	Basic static load rating, radial
	0.672 kg	Weight

### Dimensions

$d_k$	66 mm	Ball diameter
$\alpha$	15 °	Tilt angle
$G_r$	0 - 0,06 mm	Radial Clearance
$d_{OT}$	0 mm	Bore diameter bearing, upper tolerance
$d_{UT}$	-0.012 mm	Bore diameter bearing, lower tolerance
$D_{OT}$	0 mm	Outside diameter, upper tolerance
$D_{UT}$	-0.013 mm	Outside diameter, lower tolerance
$B_{OT}$	0 mm	Width inner ring, upper tolerance
$B_{UT}$	-0.12 mm	Width inner ring, lower tolerance
$C_{OT}$	0 mm	Width outer ring, upper tolerance

### Mounting dimensions

$r_{1smin}$	0.6 mm	Edge Spacing
$r_{2smin}$	1 mm	Edge Spacing
$d_{amax}$	50 mm	Connection measure Inner ring
$D_{amin}$	63 mm	Housing Connection Diameter

### Temperature range

$T_{min}$	-30 °C	Operating temperature min.
$T_{max}$	130 °C	Operating temperature max.